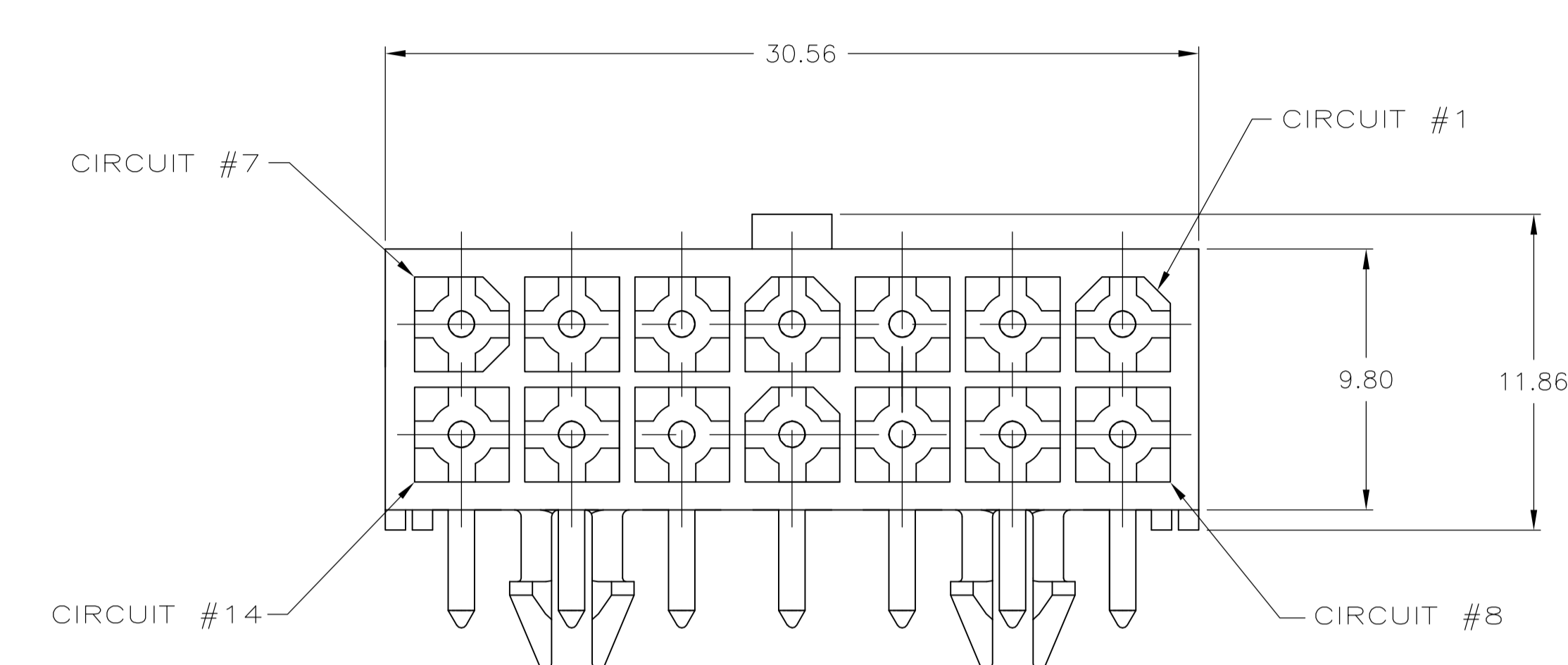
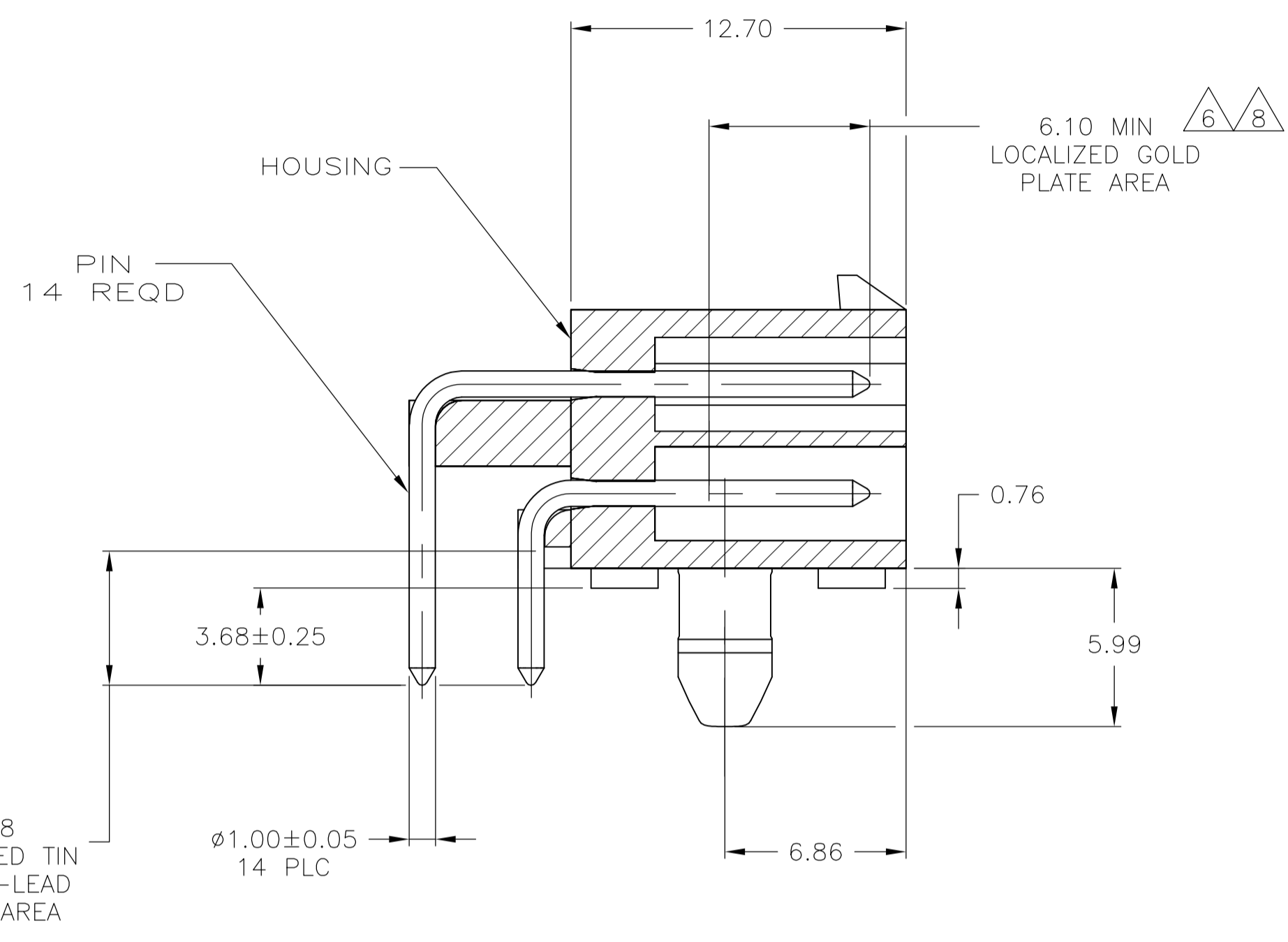
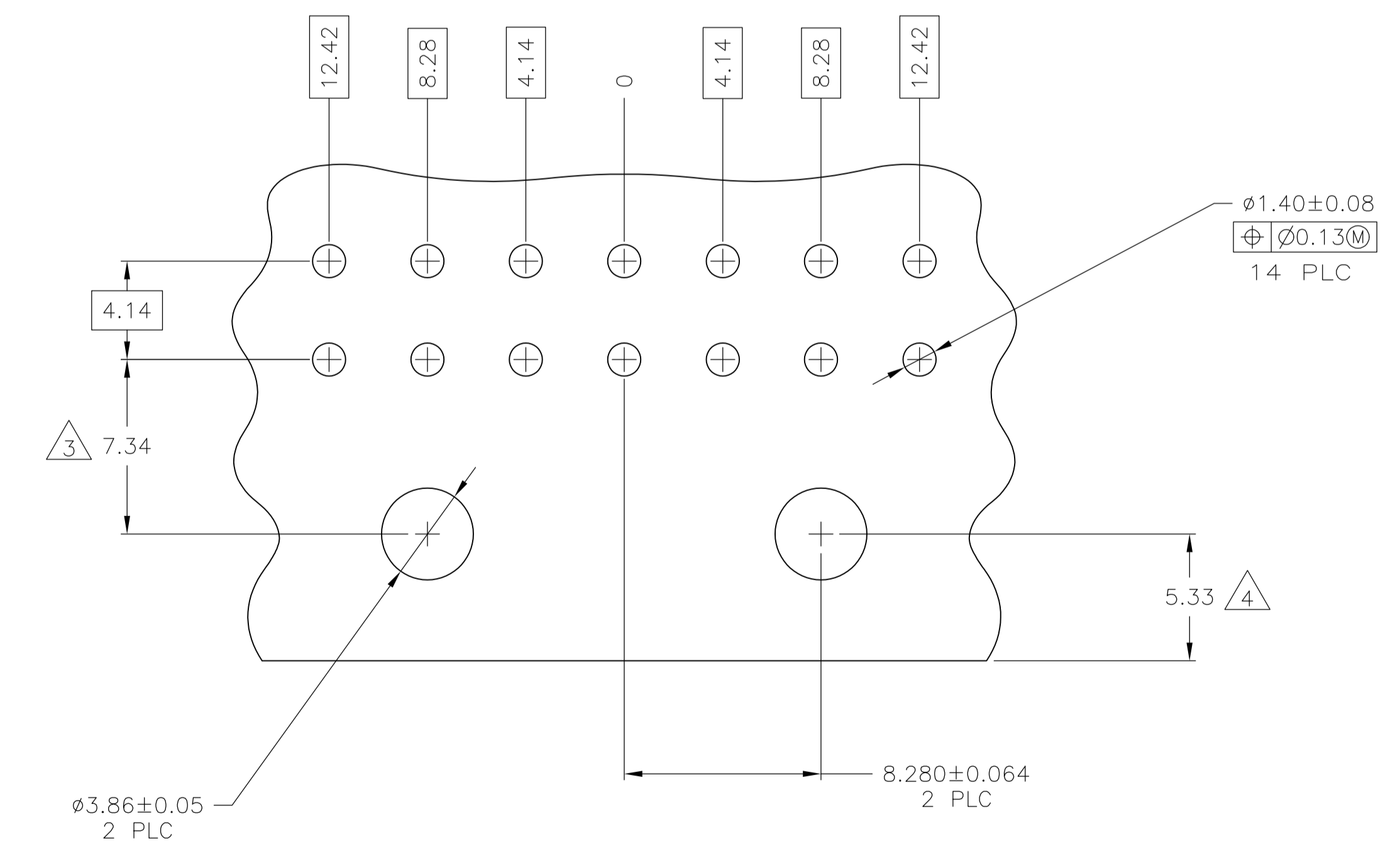
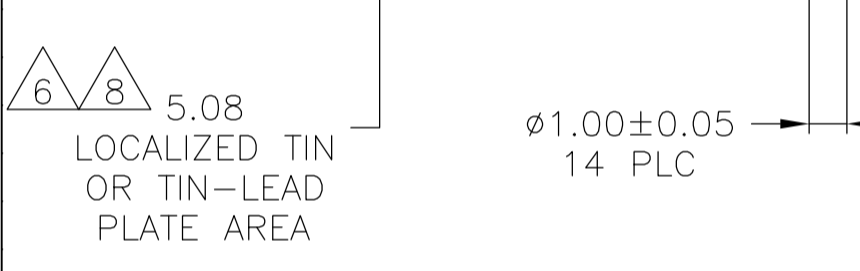


LOC		DIST		REVISIONS			
P	LTR	DATE	DMN	APVD			
H		23JUL2015	RK	SC	REVISED PER ECR-15-010337		



- PINS TO COMPLY WITH AMP SOLDERABILITY SPEC 109-11-3.
- MATES WITH PLUG P/N 770582-1.
- COORDINATE DIMENSION APPLIES FROM CENTER OF ACTUAL FEATURE.
- RECOMMENDED FOR EDGE MOUNTING.
- 0.00381 MIN MATTE TIN LEAD OVER 0.00127 MIN NICKEL ENTIRE LENGTH OF PIN.
- 0.00076 MIN GOLD PLATE IN THE LOCALIZED PLATE AREA, 0.00381 MIN MATTE TIN LEAD IN THE LOCALIZED PLATE AREA, BOTH OVER 0.00127 MIN NICKEL.
- 0.00381 MIN MATTE TIN OVER 0.00127 MIN NICKEL ENTIRE LENGTH OF PIN.
- 0.00076 MIN GOLD PLATE IN THE LOCALIZED GOLD PLATE AREA, 0.00381 MIN MATTE TIN IN THE LOCALIZED TIN PLATE AREA, BOTH OVER 0.00127 MIN NICKEL.



RECOMMENDED MOUNTING HOLE PATTERN FOR 1.57 THICK P.C. BOARD

MM	IN	MM	IN
3.86	.152	30.56	1.203
3.68	.145	12.70	.500
1.57	.062	12.42	.489
1.40	.055	12.42	.489
1.00	.039	9.80	.386
0.76	.030	8.280	.3260
0.25	.010	8.28	.326
0.13	.005	7.34	.289
0.08	.003	6.86	.270
0.064	.0025	6.10	.240
0.05	.002	5.99	.236
0.00381	.000150	5.33	.210
0.00127	.000050	5.08	.200
0.00076	.000030	4.14	.163
MM	IN	MM	IN

MATERIAL	FINISH	MATERIAL	COLOR	PART NO.
BRASS	8	NYLON, UL94V-0	WHITE	1-770973-1
BRASS	7	NYLON, UL94V-0	WHITE	1-770973-0
BRASS	6	NYLON, UL94V-0	WHITE	770973-2
BRASS	5	NYLON, UL94V-0	WHITE	770973-1

THIS DRAWING IS A CONTROLLED DOCUMENT.

DIMENSIONS: mm	TOLERANCES UNLESS OTHERWISE SPECIFIED:	DIN S. CARPENTER 24JUL03	NAME
	0 PLC ± -	CHK C. JONES 24JUL03	TE Connectivity
	1 PLC ± -	APVD G. JONES 24JUL03	HEADER ASSEMBLY, RIGHT ANGLE, WITH SHORT PEG, 14 CIRCUIT, MINI UNIVERSAL MATE-N-LOK(TM)
	2 PLC ± -		SIZE
	3 PLC ± 0.13		A1
	4 PLC ± -		SCALE 5:1
	ANGLES ± -		SHEET 1 OF 1
MATERIAL SEE TABLE	FINISH SEE TABLE	WEIGHT	REV H